

# TECH LIVE 24

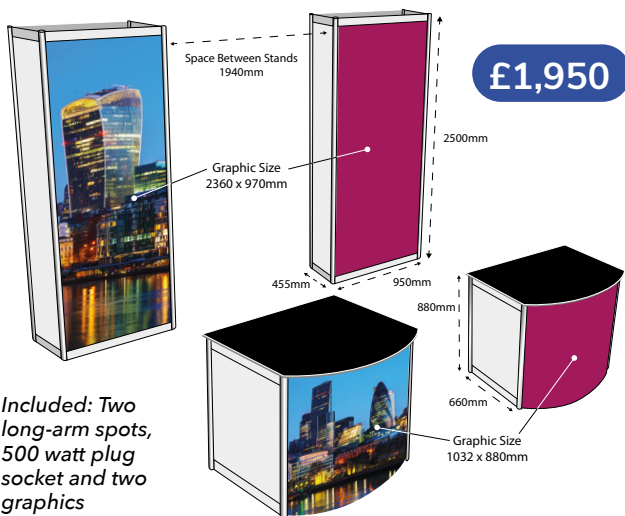
ICT · MANAGED IT · MOBILE · PRINT

## EXHIBITOR BOOKING FORM

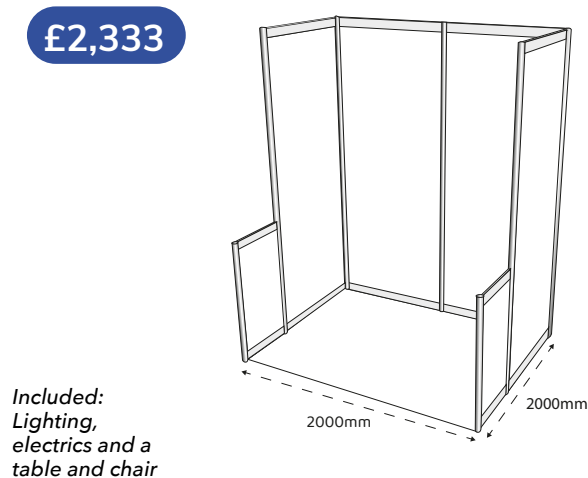
Please confirm your Stand Booking for **TECH LIVE 2024** on 17.09.2024 at The Business Design Centre, London. Once we have received your completed confirmation we will raise an invoice/confirmation paperwork for you.

**Stand Options:** (please tick required option)

### 1 2x1 Graphic Stand

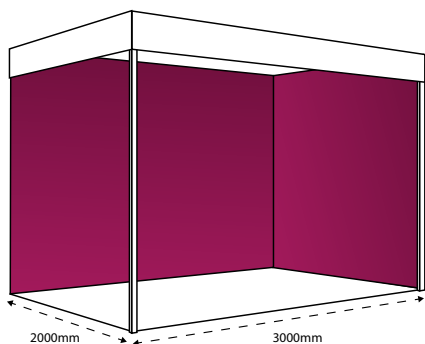


### 2 2x2m Stand



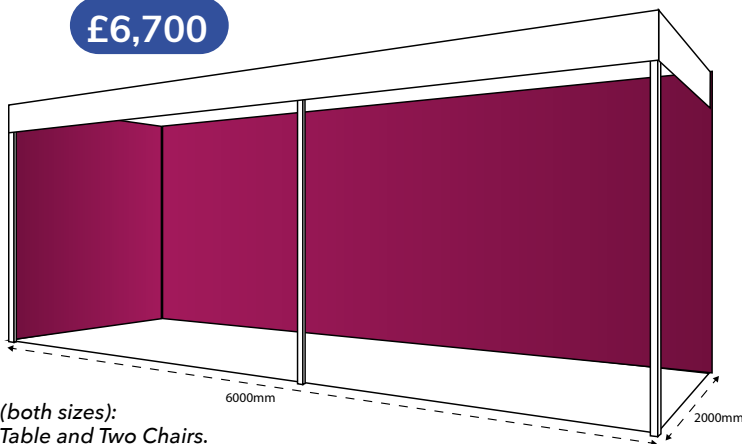
### 3 Shell Scheme 3m x 2m

**£3,500**



### 4 Shell Scheme 6m x 2m

**£6,700**



Included (both sizes):  
Lighting, Electrics, Table and Two Chairs.

[Continued >](#)

KingswoodTechEvents



Business Design Centre · London · 17 September 2024

# TECHLIVE

ICT · MANAGED IT · MOBILE · PRINT



## EXHIBITOR BOOKING FORM

### Contact Details:

Title:

Name:

Company  
Name:

Contact  
Number:

Email:

### Invoice Details:

*PO number or other required confirmation details  
(i.e. Name/Dept)*

Billing  
Address:

Postcode:

Signed:

Date:

Please complete this interactive PDF, save and email to us at: [event@technologylive.co.uk](mailto:event@technologylive.co.uk)

**OR** scan and email your completed Confirmation Form to us at: [event@technologylive.co.uk](mailto:event@technologylive.co.uk)

**OR** post to: Kingswood Tech Events, 7 Amherst House, 22 London Road, Sevenoaks, Kent TN13 2BT

# KingswoodTechEvents

